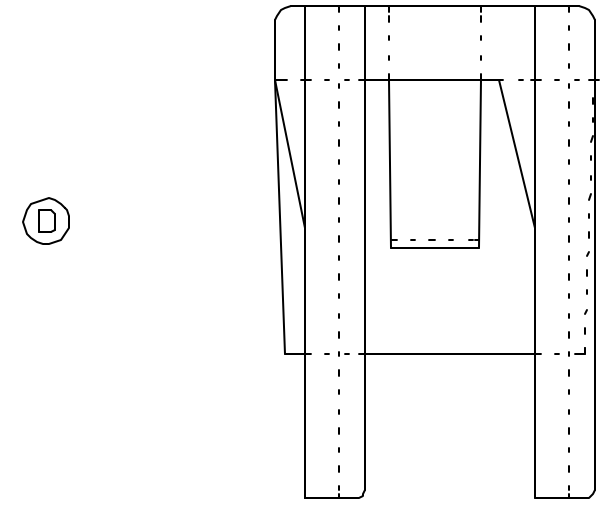
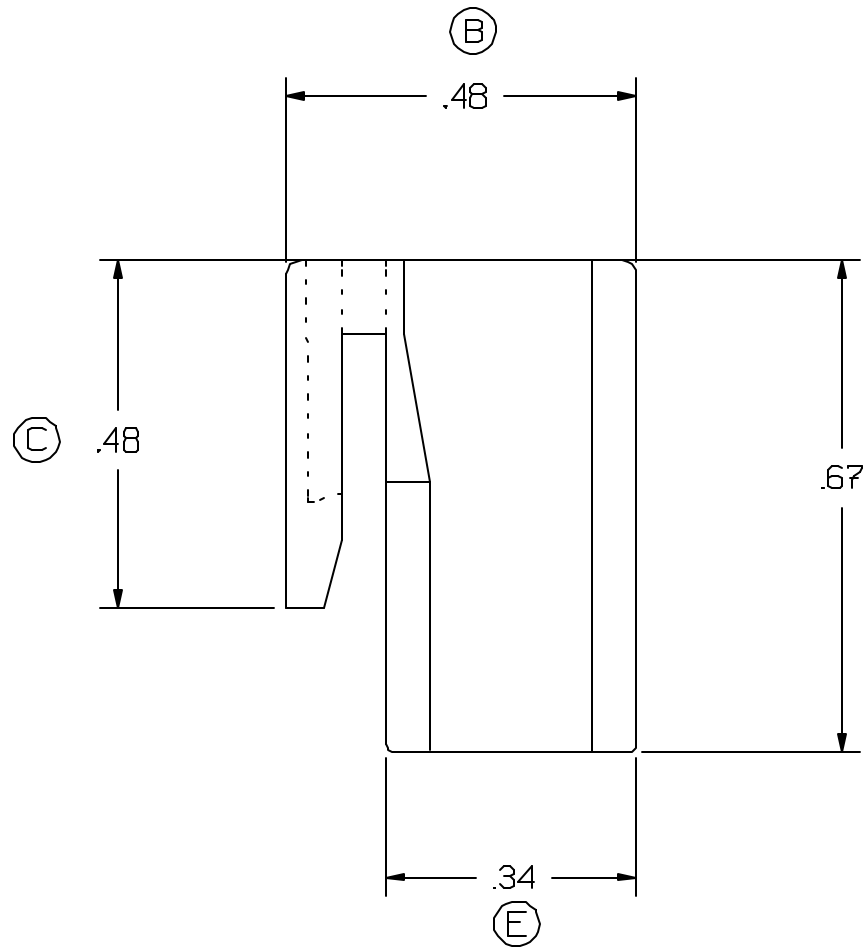
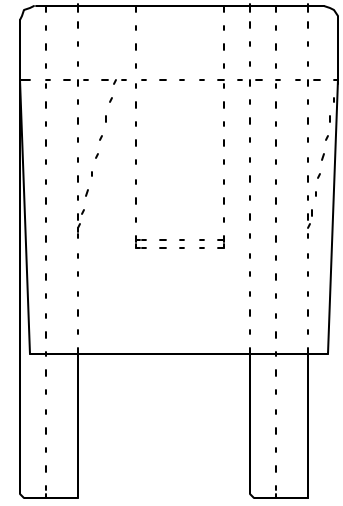
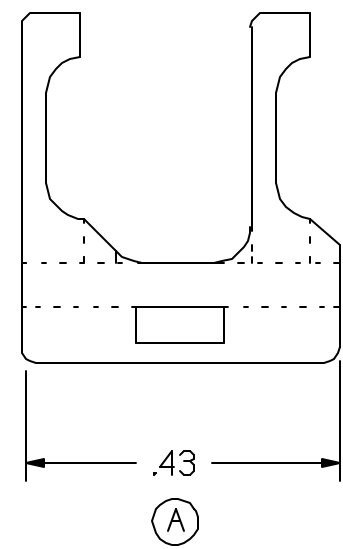


REV	REVISION DATE	RELEASE NUMBER	DESCRIPTION	DRAWN BY	CHECKED BY	APPROVED BY
00	11-10-99	2166	RELEASED ON CADD6	SJB	JCB	REF



FARGO NO. PT-059175

FARGO NO. PT-059175 GN

NOTES:

- 1- MATERIAL: NYLON 6,  
FARGO #CP-NY66YEL (YELLOW)  
#CP-66NAT & NYCCGRN (GREEN)

FILE # 991110-1	SHEET 1 OF 1	FARGO ASSEMBLY OF PA P.O. BOX 550 NORRISTOWN, PA 19404 PHONE: 610-272-6850 FAX: 610-272-6858	OUR COMPANY GOALS 1. QUALITY 2. DELIVERY 3. FAIR PRICE 4. GOLDEN RULE
UNLESS STATED OTHERWISE: DIMENSIONS ARE IN INCHES, AND TOLERANCE ARE:	THIRD ANGLE PROJECTION 	ELECTRICAL SYSTEMS ASSEMBLY AND DESIGN	
.X +/- .025	DRAWN JGL DATE 1-91	TITLE: SECONDARY LOCK MICRO RELAY 630 METRI PACK TERMINAL	
.XX +/- .015	CHECKED DATE		
.XXX +/- .005	APPROVED DATE		
FRACTIONAL +/- 1/64	SCALE: 4 X 1	DRAWING NUMBER C7277-99-00	REVISION 00
ANGULAR +/- 30 MIN	THIS DOCUMENT CONTAINS PROPRIETARY INFORMATION AND IS NOT TO BE USED IN ANY WAY DETRIMENTAL TO THE INTEREST OF FARGO ASSEMBLY OF PA, INC.		