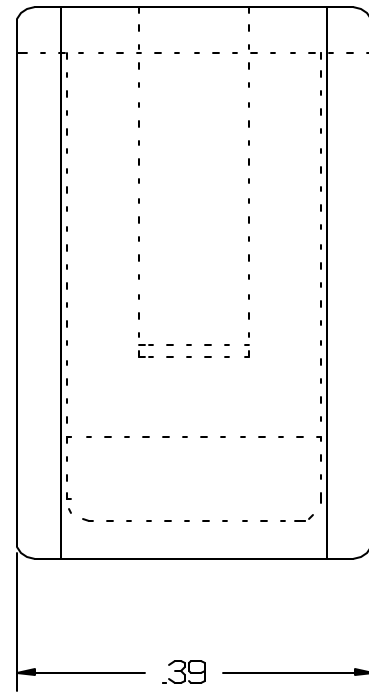
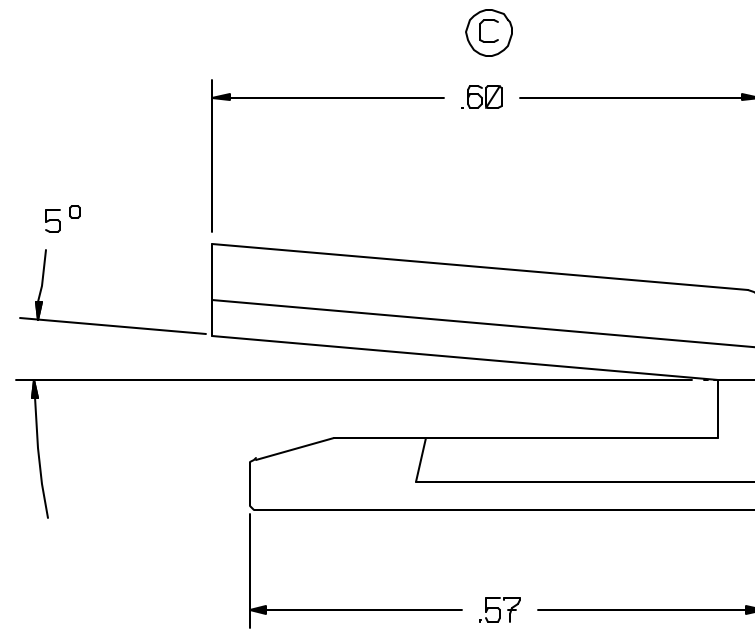
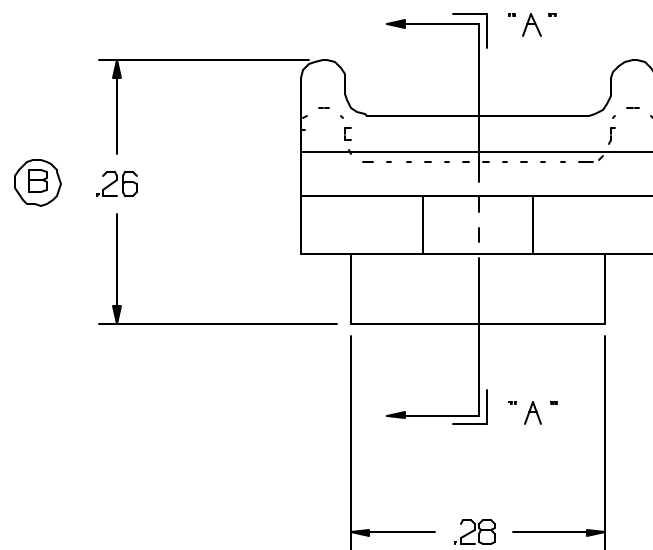


REV	REVISION DATE	RELEASE NUMBER	DESCRIPTION	DRAWN BY	CHECKED BY	APPROVED BY
00	8-24-00	2392	RELEASED FOR PRODUCTION	SJB	JCB	REF



(A)



SECTION "A"- "A"

NOTES:

1- MATERIAL: NYLON
 FARGO #CP-NY66YEL (YELLOW)
 #CP-66NAT & NYCCGRN (GREEN)

FARGO #059174, YELLOW

FARGO #PT-059174 GN, GREEN

FILE # 000824-1	SHEET 1 OF 1	FARGO ASSEMBLY OF PA P.O. BOX 550 NORRISTOWN, PA 19404 PHONE: 610-272-6850 FAX: 610-272-6858	OUR COMPANY GOALS 1. QUALITY 2. DELIVERY 3. FAIR PRICE 4. GOLDEN RULE
UNLESS STATED OTHERWISE: DIMENSIONS ARE IN INCHES, AND TOLERANCE ARE:	THIRD ANGLE PROJECTION 	ELECTRICAL SYSTEMS ASSEMBLY AND DESIGN	
.X +/- .010	DRAWN SJB	DATE 8-24-00	TITLE: MAXI FUSE SECONDARY LOCK
.XX +/- .005	CHECKED JCB	DATE 8-00	DRAWING NUMBER C7286-99-00
.XXX +/- .002	APPROVED REF	DATE 8-00	REVISION 00
FRACTIONAL +/- 1/64	SCALE: 2 X 1		
ANGULAR +/- 30 MIN			
THIS DOCUMENT CONTAINS PROPRIETARY INFORMATION AND IS NOT TO BE USED IN ANY WAY DETRIMENTAL TO THE INTEREST OF FARGO ASSEMBLY OF PA, INC.			